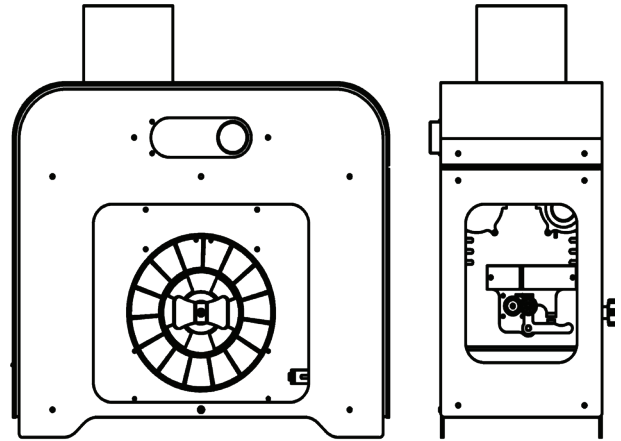


PRECISION 450

FILAMENT MAKER



PRECISION 450

Product Specifications



Filament Maker Overview	Temperature max.	Max temperature of 450 °C
	Band heater	Ceramic
	Heating zones	4
	Purpose	For high-quality mass production
	Compatible materials	PLA, ABS, PC, PS, PETG, TPU, TPE, PPS, PVA, Bio PE, NEW PET, PA (6,12, 66), PEEK, PC, PS, PEKK, PAEK, PEI, PSU, PES, PTFE, PVD+, and many more
	Independent controls	Yes
Output	RPM range	2- 15 RPM
	Filament diameter range	0.5- 3 mm (0.02- 0.12 inches)
	Optical sensor accuracy	43 microns (1.69 mils)
	Nozzle extruder	Diameter 4 mm (0.16 inches)- Replaceable
Extruder System	Screw/Barrel alloy	High chromium and molybdenum steel alloy
	Hardening treatment	Nitrided
	Compression	3 stage
	Extruder design	Swappable
	Extrusion screw type	High-flow screw
Energy	Consumption average	300- 400 W
	Consumption max.	1300 W
	Voltage	110- 230 V
	Frequency	50- 60 Hz
Capacity	Hopper volume	2 liters
	Spool holder	1
	Spool size	Diameter 240 mm (9.4 inches) Width 120 mm (4.7 inches)
Size & Weight	Dimensions	506 x 216 x 448 mm 19.2 x 8.5 x 17.6 inches
	Weight	Extruder (Without box) 24.5 kg (54 lbs) Extruder + box 27 kg (59.5 lbs)
Connection	Firmware updates	Regular updates
	Extrusion data analysis	DevoVision application

For more info on the **Precision 450 Filament Maker** or questions about our extrusion ecosystem contact sales at: sales@3devo.com